

IFQ LOGGER™

Portable Logger for RAVEN-EYE® or BELUGA™



IFQ LOGGER™

The IFQ LOGGER™ is a portable converter and logger for FLOW-TRONIC flow sensors. It disposes of one RS485 digital serial communication port with specific communication protocols for RAVEN-EYE® or BELUGA™ flow sensors and one 4-20 mA input for external level.

The features of the IFQ LOGGER™ include a direct **USB** communication to setup and configure the flow measuring system. It allows **real-time** measurements with direct velocity distribution and signal analysis.

The IFQ LOGGER™ disposes of a local display to review latest recorded values. A wake-up function permits to switch on the display between measurements and read data.

The standard unit includes a **trigger** and **alarm** function. Up to 10 alarms can be configured. Occurrences are recorded on the SD card memory.

The IFQ LOGGER™ can optionally be equipped with a 2G/3G **data transmission** modem. Data is sent to e-mail addresses or to a FTP server. Alarms can be sent via text message or by e-mail.

Technical Specifications

Sensor Interface

1x RS485 digital sensor interface for RAVEN-EYE® or BELUGA™
1x 4-20 mA analog input for level sensor
Compatible sensors: ULS-02, ULS-06, PLS-02, RLS-15, RLSS-08

Setup & Operation

7 position sealed membrane keypad.
Possibility to configure level offset, units, language through keypad.

Setup & configuration of the system through USB communication port using RTQ-Log software for Windows.

Available units:

Flow: l/s, m³/h, m³/s, gpd, gpm, cfm

Velocity: cm/s, m/s, fps

Level: mm, cm, m, inch, feet

Total flow: l, m³, g, cf

Available languages: EN, DE, FR, SP, RU, etc.

Display & LED

144x32 pixel white-on-blue graphical display with wake-up function.

Two lines of text display scrolling between: FLOW, VELOCITY, LEVEL and TOTAL FLOW.

Internal battery status indication.

6 status indication LEDs.

Logger

Memory	2 Gb (13 years of data at one minute logging interval)
Memory Type	Flash memory (SD card)
Datalog Channels	19
Time-based accuracy	< 1s/day
Data format available	.tsv

Contact Closure (optional)

1x relay/SPST-NO flow proportional output
Rating: max. 2A @ 30 VDC

Communication protocol (optional)

Modbus RTU (slave) over RS485 communication port

Data Transmission (optional)

World-wide Penta-band UMTS/HSPA engine (GPRS or 3G)

- GSM: 850/900/1800/1900 MHz
- UMTS: 800/850/900/1900/2100 MHz
- CSD with up to 14,4 Kbps

Data files are sent directly to a FTP server or to e-mail addresses

Data format type: .tsv or .csv



www.flow-tronic.com

Chemin des Tilleuls 32 | B-4840 Welkenraedt | BELGIUM

Tél.: +32 (0)87 899 799 | Fax: +32 (0)87 899 790

E-mail: info@flow-tronic.com



**Lead Acid 12V / 12 Ah
AP1212 battery**



**Lead Acid 12V / 36 Ah
AP1235 battery**

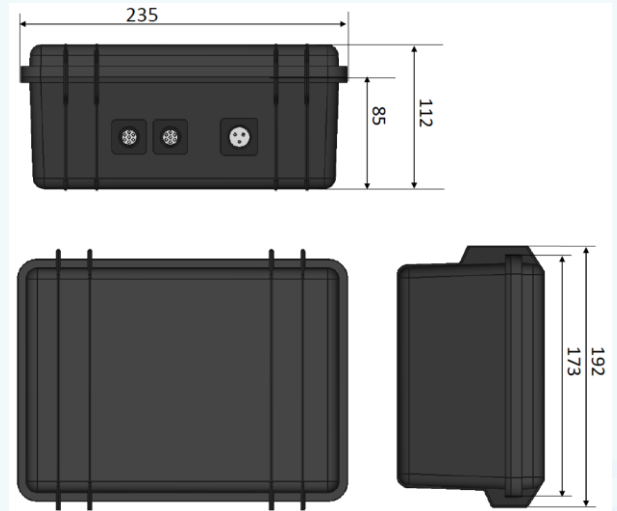
Technical Specifications

Power Supply

DC 9 to 26 VDC

Enclosure

Dimensions 235 mm W x 192 mm L x 112 mm D
 Weight 1,5 kg
 Material PPC (Polypropylene Copolymer)
 Protection IP67
 Max. humidity 90% r.H. (non-condensing)



Environmental Conditions

Operating temperature range -25 to +55°C
 Storage temperature range -30 to +65°C



FLOW-TRONIC nv

www.flow-tronic.com

*Specifications are subject to change without notice
 Updated: September 2019*

Chemin des Tilleuls 32 | B-4840 Welkenraedt | BELGIUM

Tél.: +32 (0)87 899 799 | Fax: +32 (0)87 899 790

E-mail: info@flow-tronic.com