



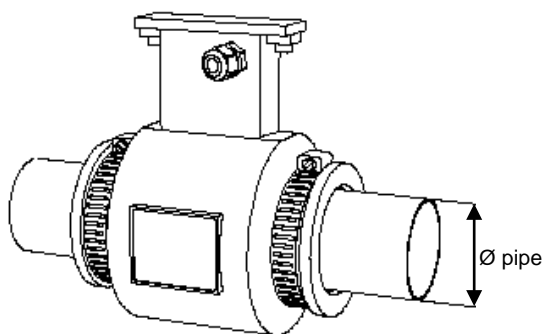
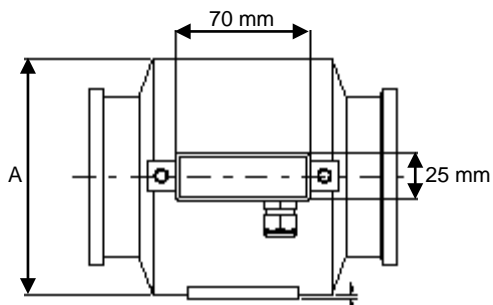
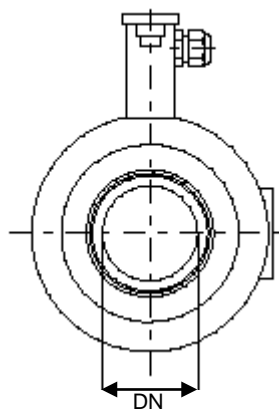
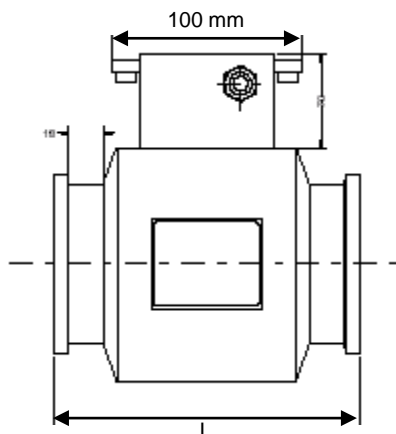
## MAG-METER MS5000

### Full Bore Electromagnetic Flowmeter Sensor with Wrapper Fixing

## TECHNICAL SPECIFICATIONS MAG-METER MS5000

|                                |   |
|--------------------------------|---|
| <b>Nominal diameter:</b>       | DN25 to DN80  |
| <b>Body material:</b>          | Polyurethane  |
| <b>Nominal pressure (bar):</b> | PN 6  |
| <b>Process connections:</b>    | Metallic wrapper fixing   |
| <b>Liquid temperature:</b>     | 0°C to 50°C   |
| <b>Lining material:</b>        | Polyurethane  |
| <b>Electrode material:</b>     | Stainless steel AISI 316<br>Hastelloy C 276<br>Titanium   |
| <b>Protection rate:</b>        | Compact version – IP 67<br>Separate version (max. 20m) – IP 68<br>(standing immersion with 1,5 m of head water)   |
| <b>Accuracy:</b>               | ± 2% r.v.<br>(Reference conditions for accuracy definition: water temperature: 20°C ; ambient temperature: 25°C ; test time: >60 sec. ; converter warm-up: >60 min. constant flow rate during the test ; pressure: 50 Kpa ; flow speed >1m/s) |

**TECHNICAL SPECIFICATIONS  
MAG-METER MS5000**



| DIMENSIONS<br>mm    | DN   |      |      |      |      |      |      |
|---------------------|------|------|------|------|------|------|------|
|                     | 20   | 25   | 32   | 40   | 50   | 65   | 80   |
| A                   | 70   | 80   | 90   | 98   | 124  | 129  | 154  |
| L                   | 135  | 135  | 135  | 135  | 160  | 160  | 190  |
| Pipe Ø (iso series) | 26.9 | 33.7 | 42.4 | 48.3 | 60.3 | 76.1 | 88.9 |