

ULS-02 & ULS-06

Ultrasonic Level Sensor



The ULS-02 ultrasonic level sensor transmits series of ultrasonic pulses which propagate towards the liquid surface. The reflected acoustic wave is received back in the ULS-02 transducer and processed in the electronic module. The distances calculations are based on time flight of the acoustic wave to the level and back.

The ULS-02 and ULS-06 sensors can easily be combined with the new generation open channel non-contact RAVEN-EYE® radar velocity sensor and constitute a custom-tailored non-contact open channel area/velocity flowmeter.

The ULS sensors are ultrasonic level sensors providing continuous level measurement of liquids like water and wastewater. They are self-contained units that include the electroacoustic transducer and the electronic module.

The ULS-02 and ULS-06 level sensors are suited to continuous non-contact level measurement of liquid in closed conduit or open channel applications.

Technical Specifications

Method

Ultrasonic pulse echo

Measuring Range

ULS-02 0,00 to 1,75 m

ULS-06 0,00 to 5,75 m

Supply Voltage

ULS-02/ULS-06 12-36 VDC

Current Supply

ULS-02/ULS-06 Max. 22 mA

Resolution

ULS-02/ULS-06 1 mm

Accuracy

ULS-02 0,3%

ULS-06 0,2%

Temperature Error

ULS-02/ULS-06 max. 0,04%/K

Beamwidth (-3dB)

ULS-02 10°

ULS-06 14°

Operating Temperature Range

ULS-02/ ULS-06 -30°C to +70°C

Measuring Period

ULS-02 0,6s

ULS-06 1,0s

Filter

ULS-02/ULS-06 on 4 measurements

Short time temperature Stress Resistance

ULS-02/ULS-06 +90°C/1 hour

Max. Operation Overpressure (on transmission surface)

ULS-02/ULS-06 0,1 MPa

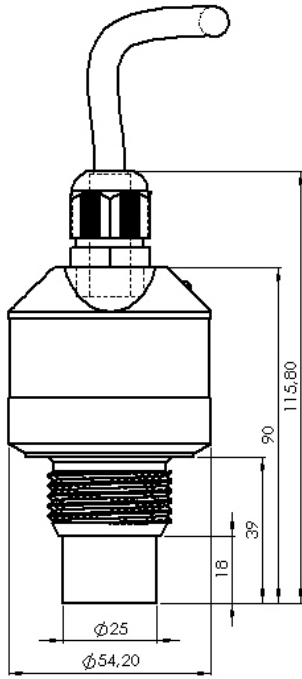
Protection Class

ULS-02/ULS-06 IP68

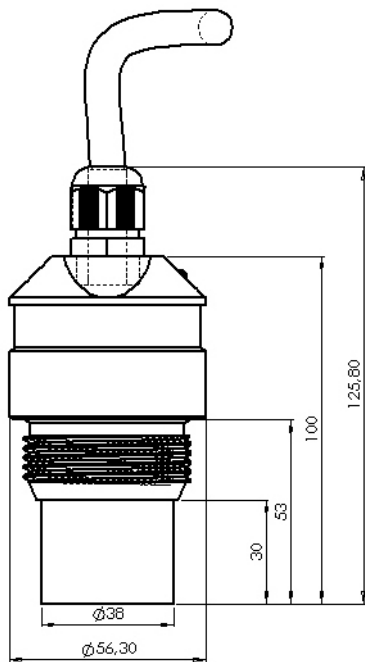
Weight

ULS-02 0,55kg

ULS-06 0,65kg



ULS-02



ULS-06

Technical Specifications

Outputs

ULS-02/ULS-06

4-20mA

(limit values 3,9-20,5 mA)

Sensor Cable

Material

Polyurethane jacketed

Shielded

Yes

Length

Standard: 10 m

Optional: 20 m, 30 m or length as

needed up to 300 m



FLOW-TRONIC NV

www.flow-tronic.com

*Specifications are subject to change without notice
Updated: May 2015*

Rue J.H. Cool 19a | B-4840 Welkenraedt | BELGIUM

Tél.: +32 (0)87 899 799 | Fax: +32 (0)87 899 790

Email: info@flow-tronic.com